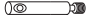




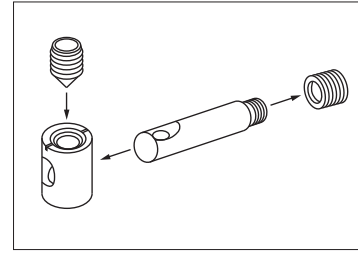


Assembly instructions 03/2021

TOOLS:

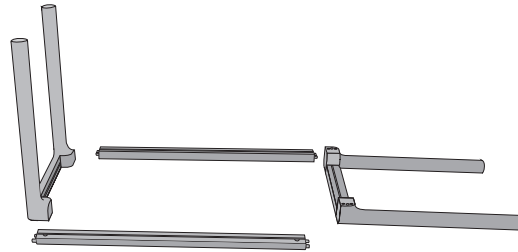
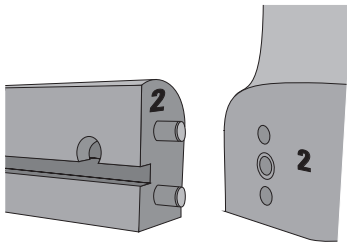
Allen key SW5 (enclosed)

4x XS steel bolts	
4x connector housings	
4x grub screws	
16x pan head screws	
8x blocks	

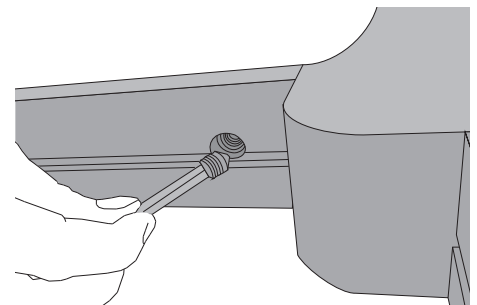
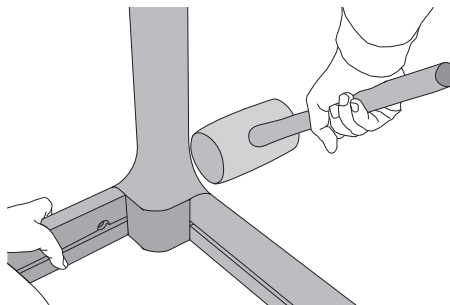
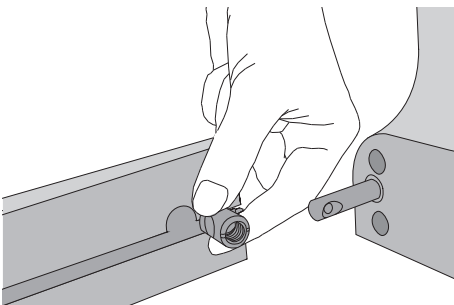


Video:
<http://www.scheulenburg-direkt.de/index.php?page=content&colID=11>

Please assemble the table **on a soft surface (e.g. a carpet or blanket)** to avoid damages.



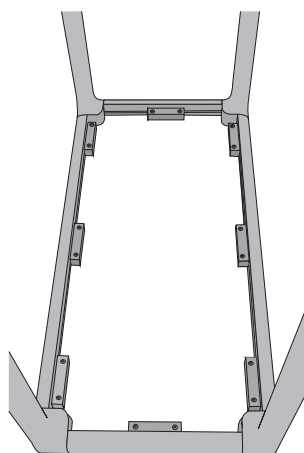
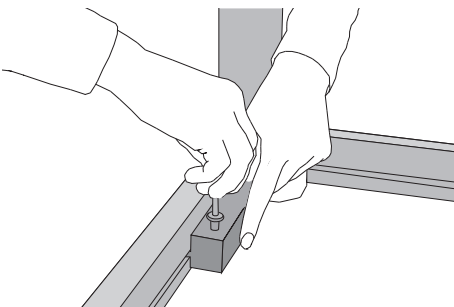
1. Assemble frame rails and legs according to the numbers.



2. Screw the XS bolts into the pairs of legs (do not overtighten!) and insert connector housings into the frame rails. When aligning the housings, ensure that the slots point towards the intersecting holes.

3. Gently tap the pairs of legs onto the frame rails.

4. Secure the connectors using grub screws. If you cannot tighten the connection, loosen the grub screw and unscrew the bolt by one or two turns. Then connect again.



5. Place the frame on the bottom side of the tabletop. Slide the mounting blocks into the frame and fix them with pan-head screws.