

RAIL DUCT

assembly instructions 03/2021

ZEITRAUM

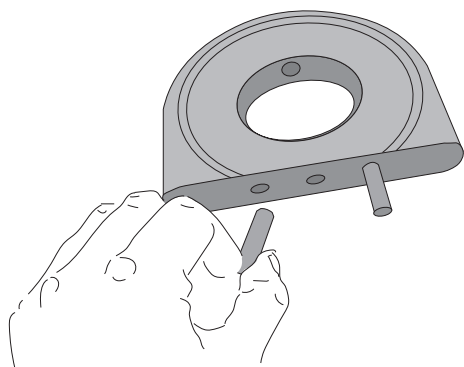
TOOLS:

allen key

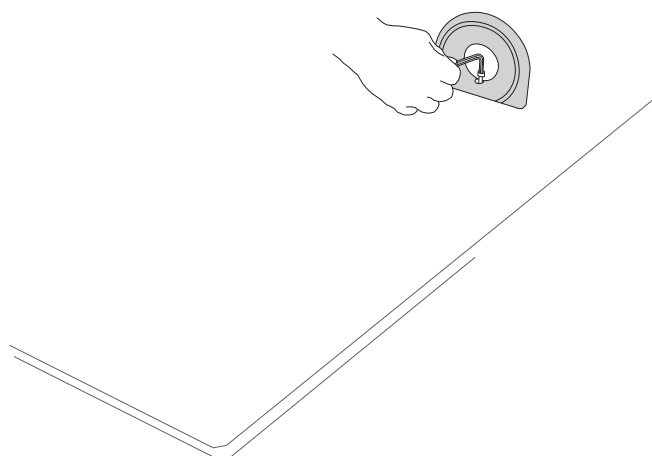
2 x countersunk screw (M6x30)



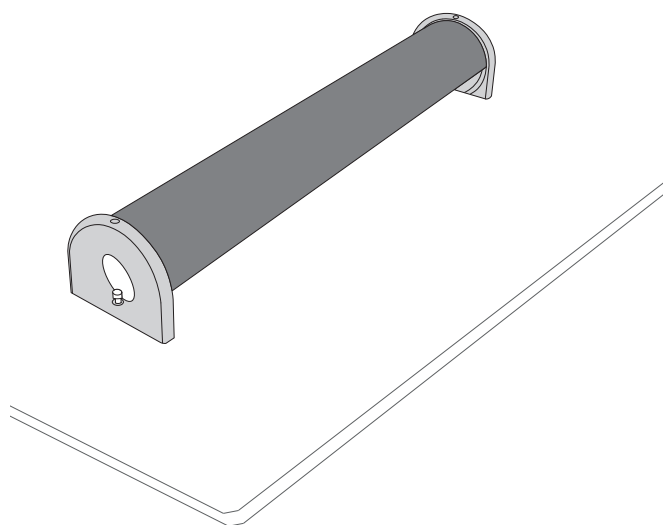
4 x wooden dowels (6x30)



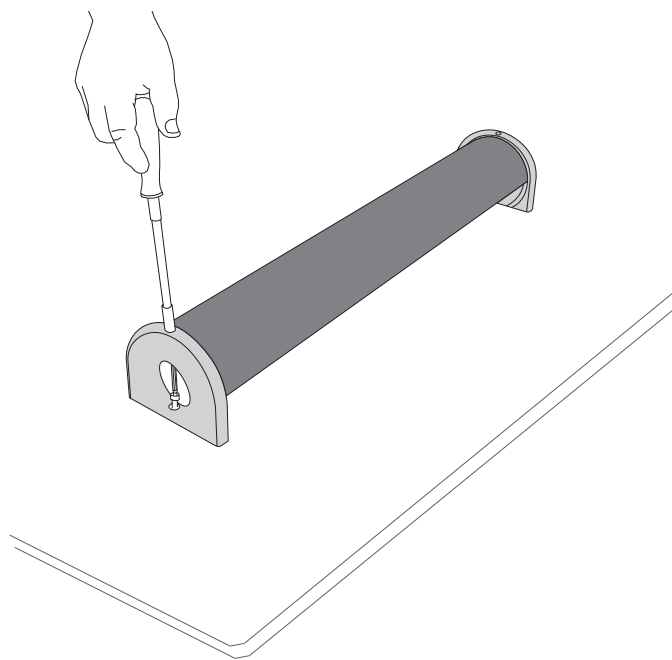
1. Insert two dowels in each wooden side piece.



2. Attach the side piece to the tabletop and tighten the countersunk screw.



3. Place the formfleece half tube...



4. ...and fix it by attaching the second side piece.