

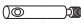




MELLOW

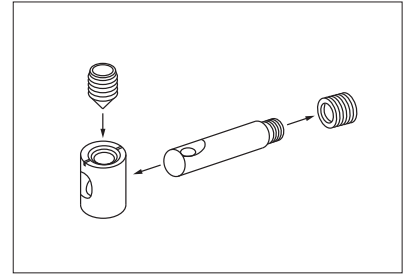
assembly instructions 03/2021

ZEITRAUM

TOOLS:

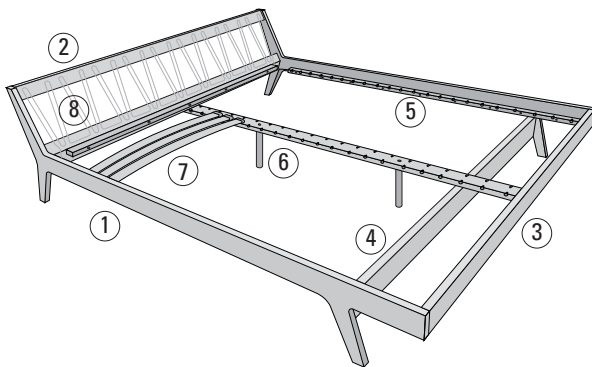
allen key SW4 and SW5 (enclosed)

- 12 x XS steel bolts 
- 12 x connector housings 
- 12 x grub screws 
- 24 x confirmat screws (5x50) 
- 2 x countersunk screws (M8x50) 

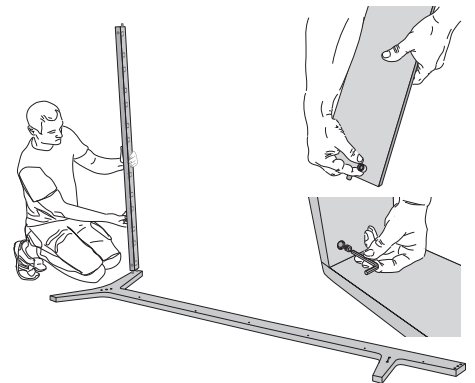


Watch this video for further information on the metal fitting:
<https://www.youtube.com/watch?v=ioiUTDqtvgE>

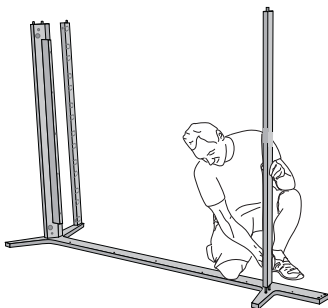
Please assemble the bed **on a soft surface (e.g. a carpet or blanket)** to avoid damages.



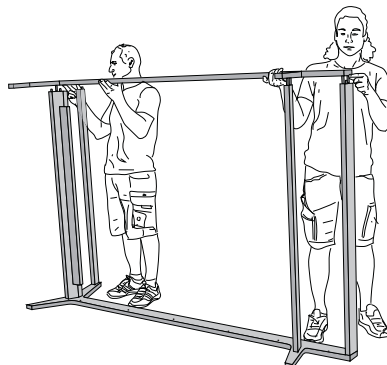
- 1** side rails
- 2** headboard
- 3** footboard
- 4** cross bar
- 5** support bars
- 6** center rail and center feet
- 7** sprung slats and rubber caps
- 8** leather cord



1. Screw steel bolts into the side rails (1). Insert connector housings into headboard (2), footboard (3) and cross bar (4). Ensure that bolts and housings are aligned correctly. Place the bars of the headboard (2) on one of the side rails (1) and fix the connectors using the allen key.



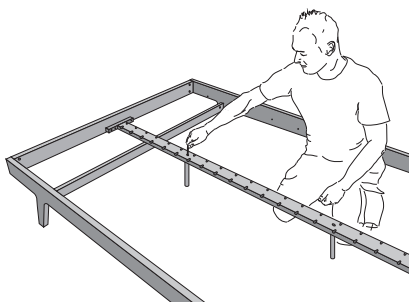
2. Attach the cross bar (4) to the side rail (1).



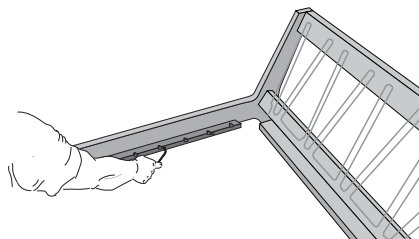
3. Attach the footboard (3) to the side rail (1). Place the second side rail on top of the parts that are already assembled.



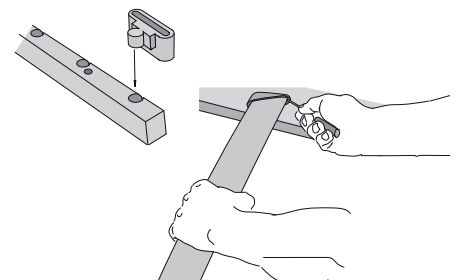
4. Thread the leather cord (8) through the slots in the headboard (2). Before fixing it, tighten the cord slightly.



5. Attach the center rail (6) and fasten the center feet to the center rail.



6. Attach the support bars (5) to side rails (1) using confirmat crews.



7. Insert the rubber caps (7) into the holes in the mattress supports and fit the sprung slats into the rubber caps.