

## ASSEMBLY INSTRUCTION 05/2014

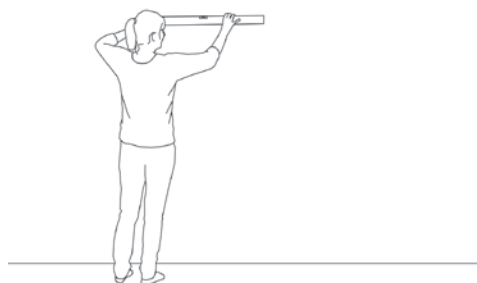
### TOOLS:

2 x 5x50 screws

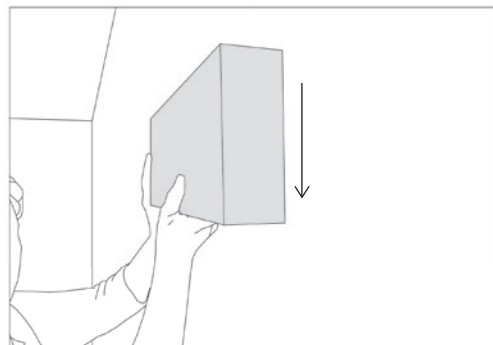
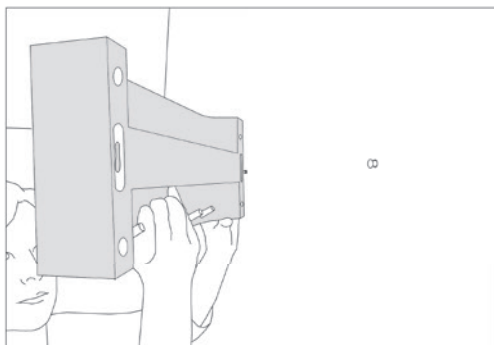
2 x 8mm wall dowel

tools required: level, drill machine, dowel for special wall conditions

1. Use the wardrobe to mark the wall for the bore holes at the desired height and align them with a level. Drill the holes and tighten the screws until 7mm of the screws are still visible.



2. Place the wardrobe with the bed fittings on the screw heads and push until it stops below:



Functionality of the bed fittings:

