

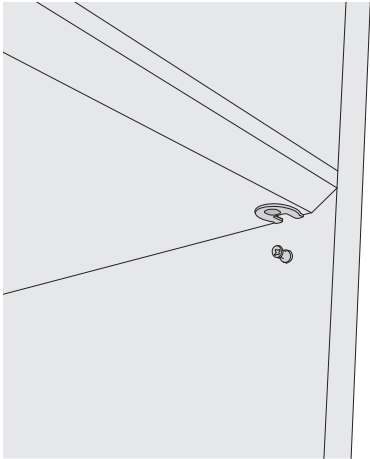
KIN Shelf

ZEITRAUM

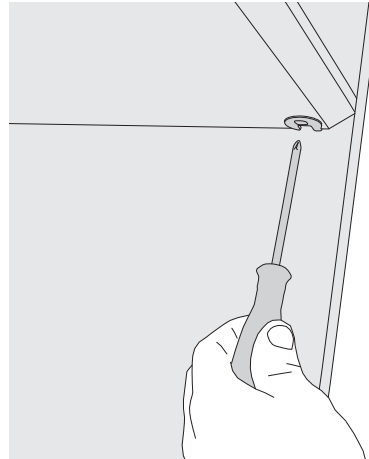
Assembly instruction 03/2016

Tools:

Cross screw driver (size 2)

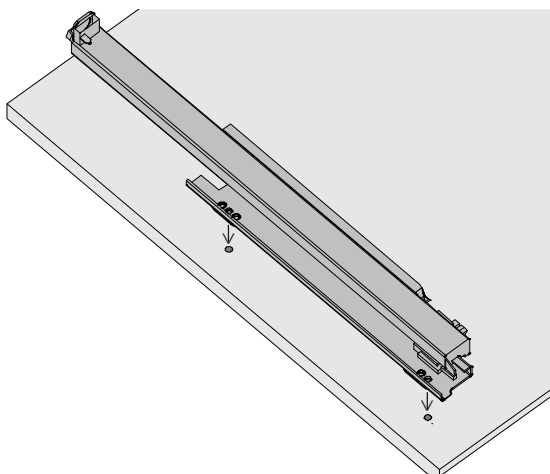


1. Screw the metal pin into the side pieces, according to the provided position (as you can see on your individual ZEITRAUM drawing). Press the shelf onto the four metal pins to snap the Rafix- connector.

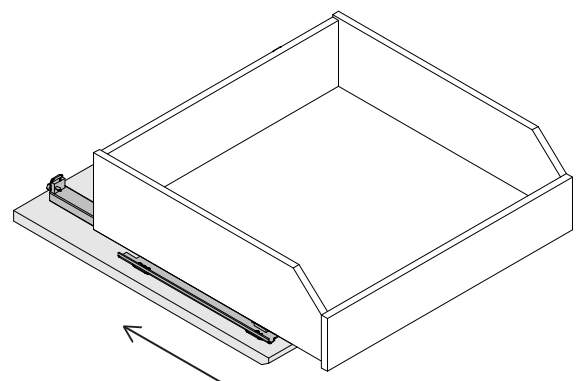


2. Afterwards use the cross screw driver to tighten the Rafix connector (just a half turn). Hold the cross screw driver slightly diagonally.

KIN Drawer



1. Screw the runner onto the shelf (already built in). Take care that the runner is at the rearmost position. The side of the shelf with the bigger distance between drilled holes and edge is the one where the door will be placed (the distance is very important for the cup hinges).



2. Pull the fixed runner forwards and put the drawer onto the runner. Now push the drawer back until the runner snaps into the orange box.