

RAIL BANK

ZEITRAUM

Assembly instruction 11/2016

TOOLS:

Allen screw SW 5 (enclosed)

XS bolts



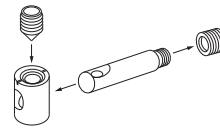
boxes



grub screws



threaded screw

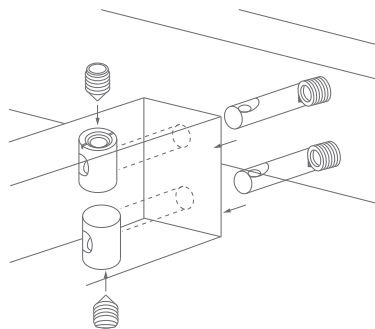


video:

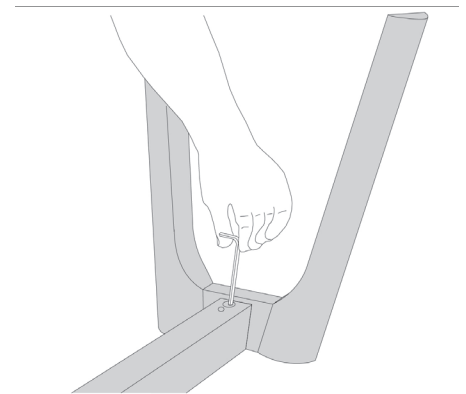
<http://www.scheulenburg-direkt.de/index.php?page=content&colID=11>



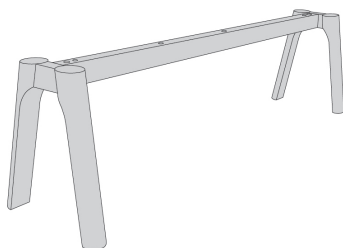
1. Fix XS bolts in the legs of the bench



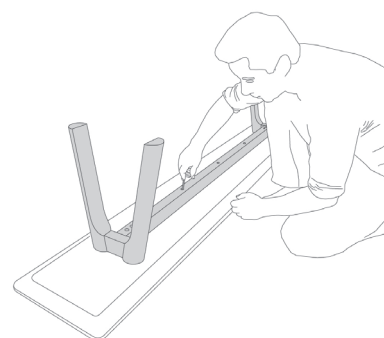
2. Position the boxes and put together the legs and the frame



3. Fix the joint with the grub screws from below...



4.and from above.



5. Use the threaded screws to fix the frame with the seat