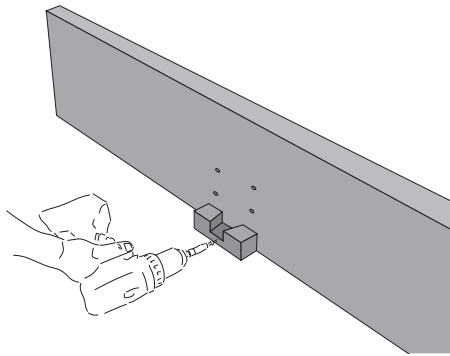


## IN HEAVEN Bold

### Upholstered headboard

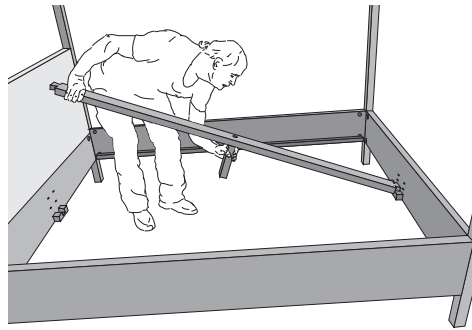
Assembly instructions 01.2022

9.



Push the center support blocks onto headboard (1) and footboard (2). Use Spax screws to secure them.

10.



Choose a center support foot (7) and attach it to the center rail (4). Place the center rail on the center support blocks.

#### TOOLS:

allen key (enclosed)  
cordless drill driver  
open-end wrench size 10  
ladder

16 × Maxifix connector housings



16 × Maxifix bolts



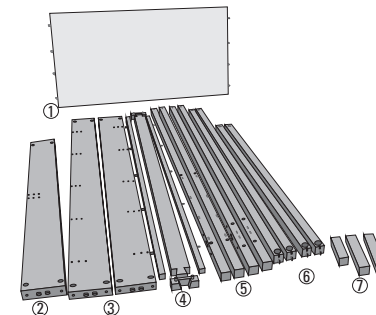
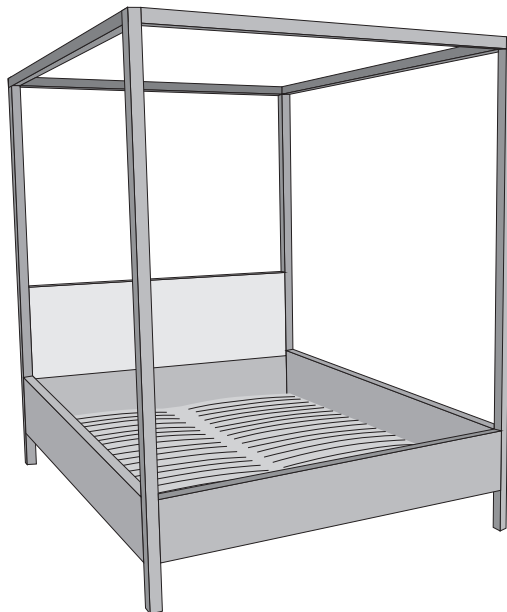
8 × frame connectors



10 × Spax screws (5x50)

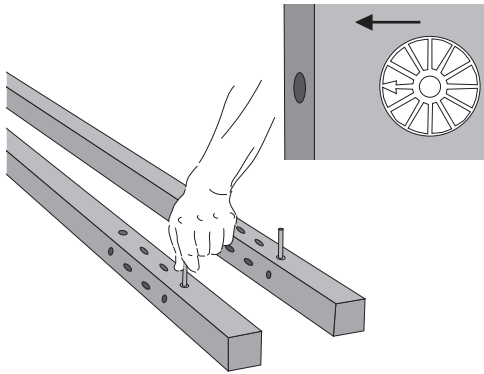


Please assemble the bed **on a soft surface (e.g. a carpet or blanket)** to avoid damages.



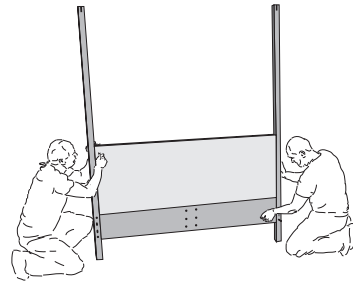
- 1 headboard
- 2 footboard
- 3 side rails
- 4 center rail and support bars
- 5 corner posts
- 6 upper frame
- 7 center support feet

1.



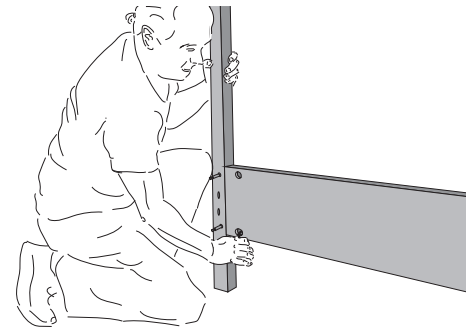
Screw the Maxifix bolts into the corner posts **(5)**. Insert the connector housings into side rails **(3)**, headboard **(1)** and footboard **(2)**. When aligning the housings, ensure that the arrow points towards the intersecting hole.

2.



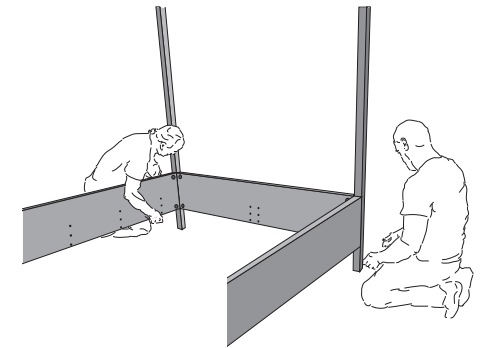
Push the headboard **(1)** onto the Maxifix bolts of the corner posts **(5)**.

5.



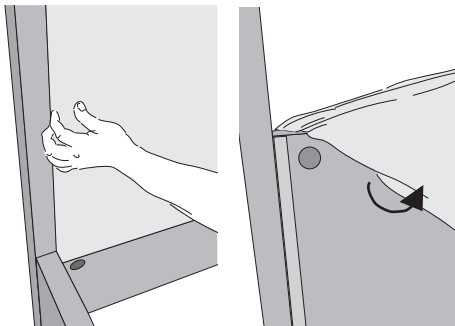
Fix the corner posts **(5)** to the footboard **(2)**.

6.



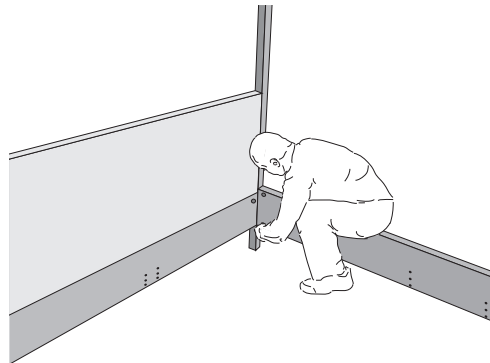
Attach the footboard **(2)** to the side rails **(3)**.

3.



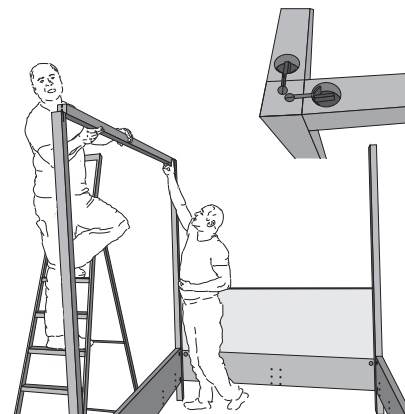
Remove the headboard cover and tighten the Maxifix connectors with the Allen key.

4.



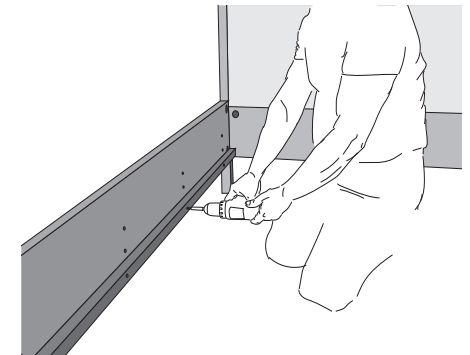
Attach the side rails **(3)** to the headboard **(1)**.

7.



Place the bars of the upper frame **(6)** in between the corner posts **(5)** and secure them with frame connectors. Tighten the connectors using an open-end wrench.

8.



Push the support bars **(4)** onto the holes in the side rails **(3)** and secure them with Spax screws.