

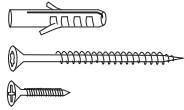
Assembly instructions 07/2022

1x shelf bracket

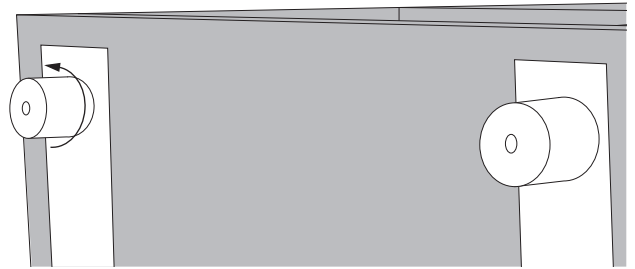
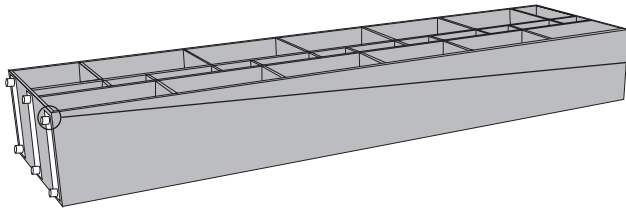
2x wall plugs (Ø 6mm)

2x Spax screws (5x50mm)

2x Spax screws (3,5x10mm)

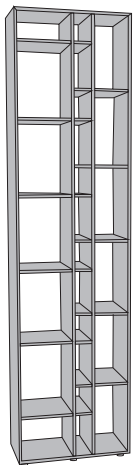


Please assemble the shelf **on a soft surface (e.g. a carpet or blanket)** to avoid damages.

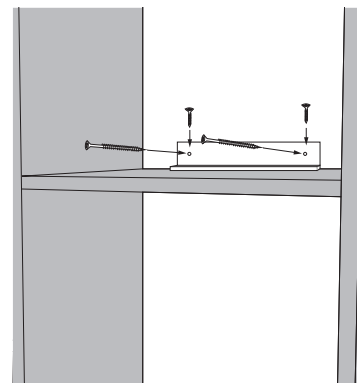


1. Lift the shelf with 2 people horizontally out of the cardboard box.

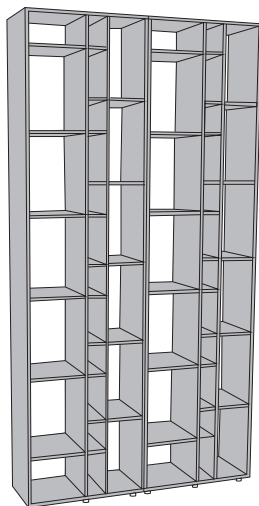
2. Loosen the adjustable feet.



3. Turn the shelf upright and level it by adjusting the feet.



4. Mount the shelf to the wall to prevent it from tipping over. Attach the shelf bracket to the wall (Spax screws 5x50mm) and the shelf (Spax screws 3,5x10mm). Choose a position in the upper part of the shelf. Use the right screws and wall plugs according to the wall condition.



5. Assembly of a row of shelves: Place shelves alongside each other and adjust the leveling feet. Mount the shelves to the wall. Concealed magnets hold the sides together. The shelves can be placed in a row, but not mirror each other.

Please note!
Do not turn the shelf over its edge!
The shelf must be mounted to the wall!
Always make sure to move only one shelf at a time and only when empty!