


Assembly instructions 09/2022

TOOLS:

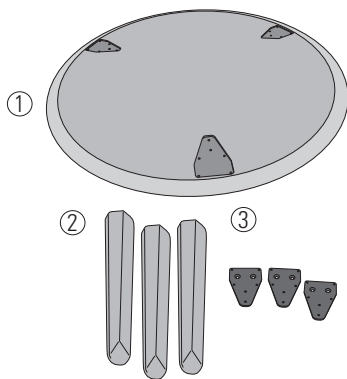
Allen keys (enclosed)

6x/8x countersunk bolts (M10x30) 

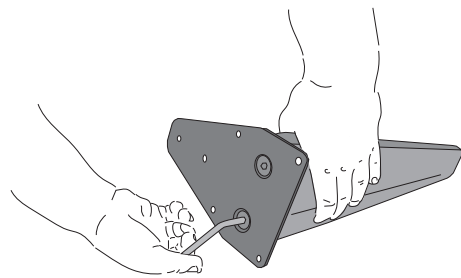
18x/24x countersunk bolts (M6x16) 

amount of bolts depends on the shape of the tabletop: round (3 legs), rectangular and convex (4 legs)

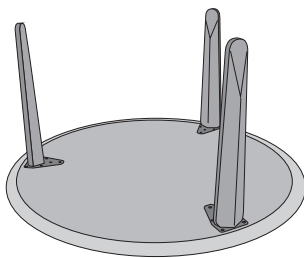
Assemble the table on a **soft surface (e.g. blanket)** to avoid damage.



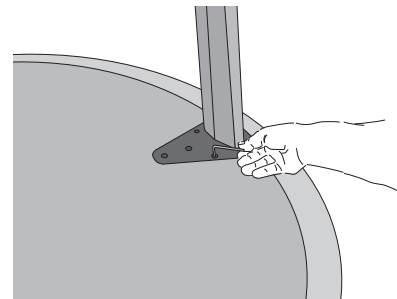
- 1 tabletop
- 2 legs (3 or 4)
- 3 mounting plates (3 or 4)



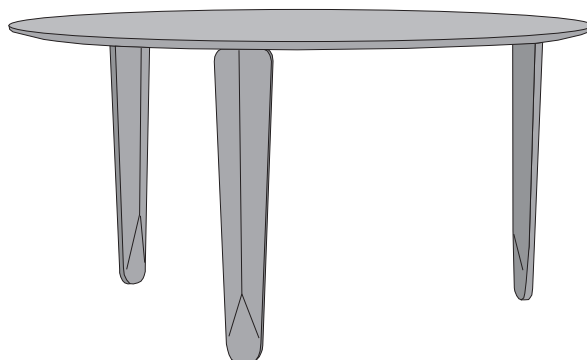
1. Screw the mounting plates (3) onto the legs (2) using countersunk bolts (M10).



2. Place the legs in the milled pockets on the underside of the tabletop (1).



3. Fix the mounting plates with screws.



Attention! Move the table by lifting it.