

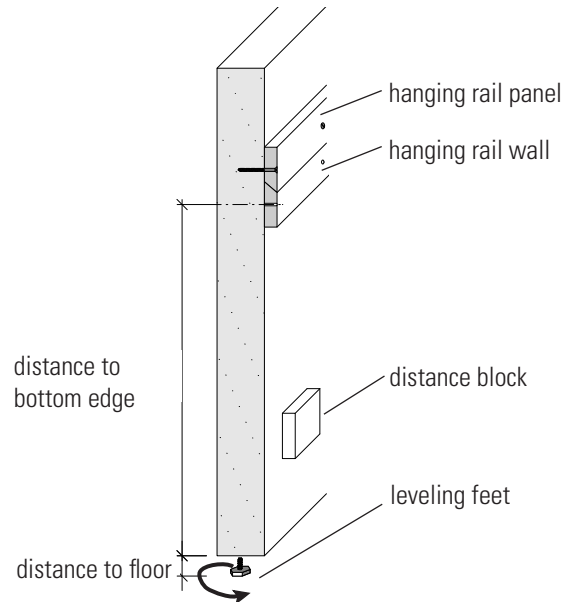
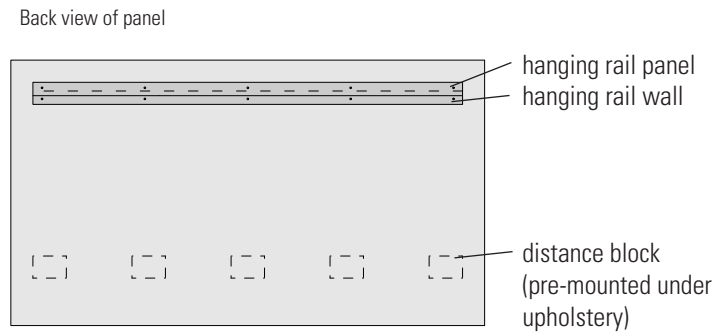
BUTTON/COMFORT Panel ZEITRAUM

Mounting instructions 03/2022

YOU NEED:

drill and drill bit (for brick), open-end wrench, wall anchors and screws (depending on material of wall)

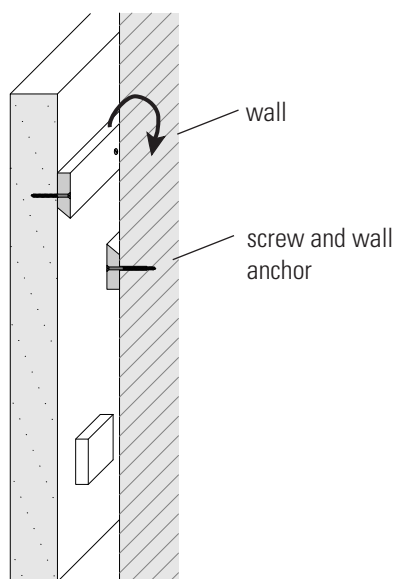
Sectional drawing



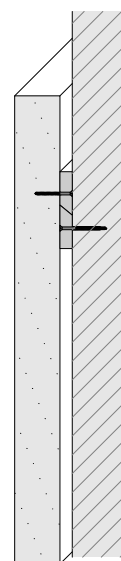
1. Positioning of the panel: Put the hanging rail, that has to be mounted to the wall, under the hanging rail, that is attached to the back of the panel. Measure the distance between the drillings of the hanging rail for the wall and the bottom edge of the panel. If required add the distance the panel should have to the floor.

Use an open-end wrench to adjust or remove the leveling feet.

Sectional drawing



Sectional drawing



2. Depending on the kind of wall use the right wall anchors and screws. Wall-mount the hanging rail.

3. Hang the panel onto the hanging rail.