

ECLAIR PETIT

ZEITRAUM

assembly instructions 11/2022

TOOLS:

allen key SW4 and SW5 (enclosed)

12 x XS steel bolts



24 x confirmat screws



12 x grub screws



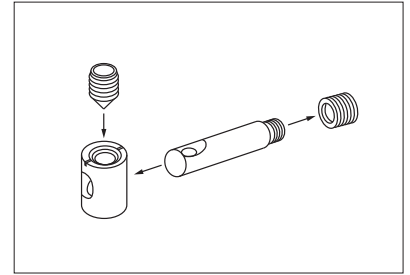
3 x countersunk bolts (M8x50)



12 x connector housings

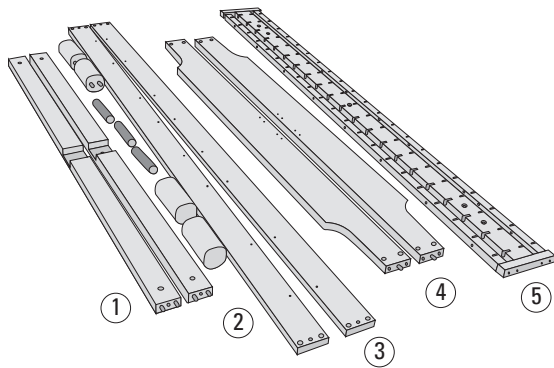


3 x adjustable centre feet



Watch this video for further information on the metal fitting:
<https://www.youtube.com/watch?v=ioLUTDqtvGE>

Please assemble the bed **on a soft surface (e.g. a carpet or blanket)** to avoid damages.



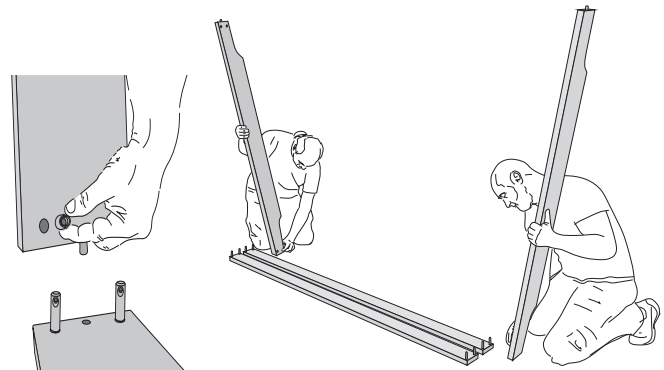
1 crossbars

2 bed feet and centre feet

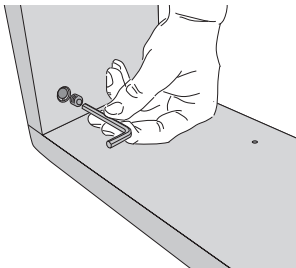
3 side rails

4 footboard and headboard

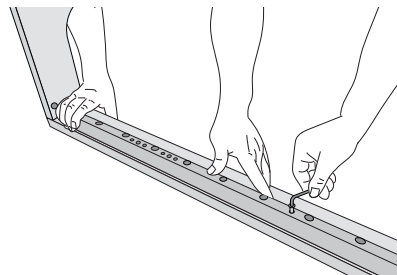
5 centre rail and support bars



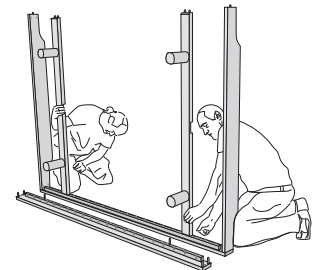
1. Screw XS bolts into side rails (3) and insert connector housings into the foot and head sections (4) and crossbars (1). Align the bolts and housings correctly! Mount foot and headboards to the side rails.



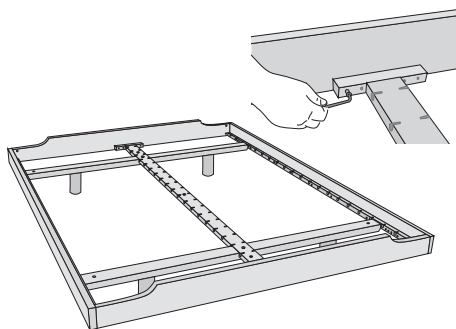
2. Use grub screws to tighten the connections of side rail (3), foot and headboard (4).



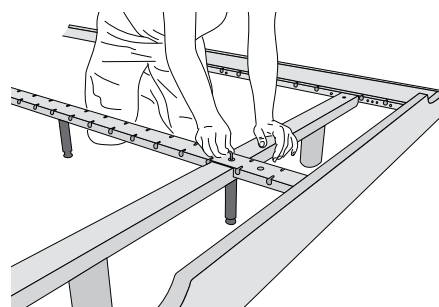
3. Mount the support bars (5) on the side rails (3) using confirmat screws. Screw in the remaining XS bolts.



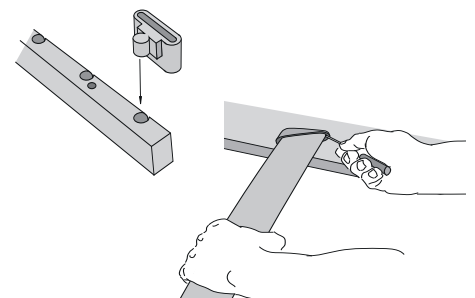
4. Place the bed feet (2) on the crossbars (1) and mount those to the side rail (3). Then attach the second side rail and fix it in place.



5. Place bed on its feet. Insert the centre rail (5) and fix it with screws.



6. Mount the adjustable centre feet (2) to the centre rail (5) using countersunk screws.



7. Insert the rubber caps into the holes in the mattress supports and fit the sprung slats into the rubber caps.