

RAIL Snack

tabletop bigger than 90x90 cm

ZEITRAUM

Assembly instructions 07/2022

TOOLS:

Allen key SW 5 (enclosed)

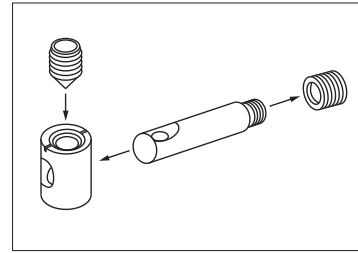
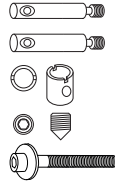
10x XS steel dowels (M6)

8x XS steel dowels (M8)

18x connector housings

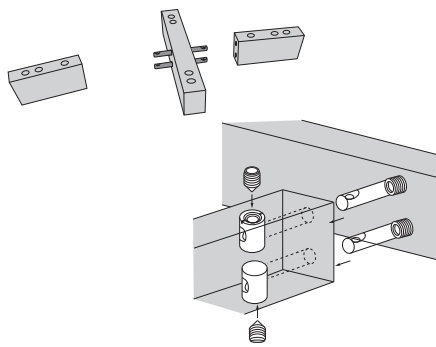
18x grub screws

8x cylinder head screws (M6x50) with flat washers

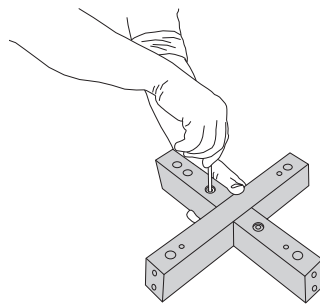


Video:
<http://www.scheulenburg-direkt.de/index.php?page=content&colD=11>

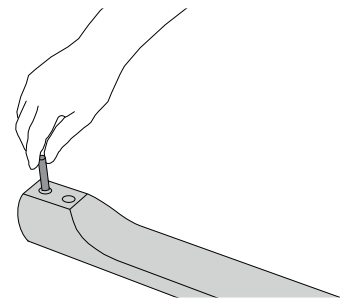
Please assemble the table **on a soft surface (e.g. a carpet or blanket)** to avoid damages.



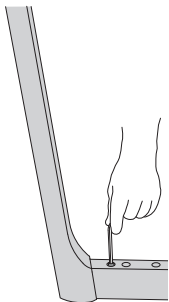
1. Assemble the small cross. Screw in the XS steel dowels (M6), insert the connector housings and connect the parts.



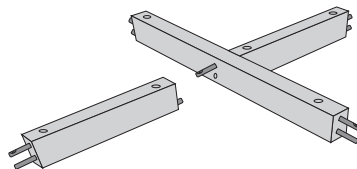
2. Fix the connection with grub screws.



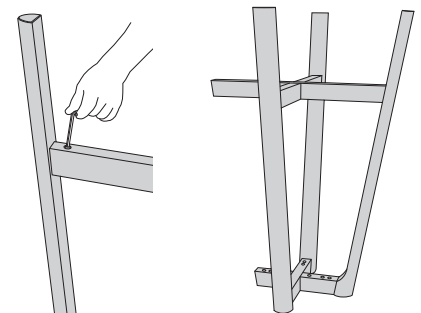
3. Screw in the XS steel dowels (M8) into the legs.



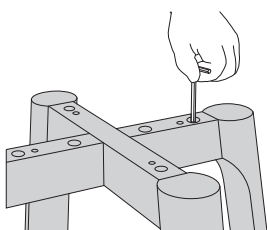
4. Push the cross onto the leg and fix the connection with grub screws.



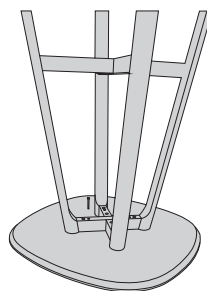
5. For the lower cross, screw in the XS steel dowels (M6) and insert the connector housings. Join the parts and tighten the grub screws.



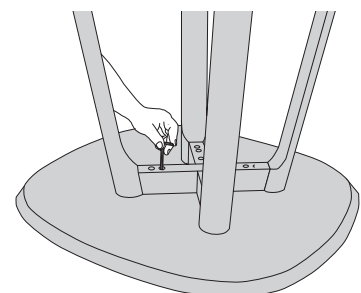
6. Mount the lower cross to the leg. Afterwards, mount the remaining legs. Assembly is easier when the table is upside down.



7. Fix all grub screws on the top side of the frame.



8. Place the frame on the tabletop. Insert the cylinder head screws with the flat washers.



9. Tighten the screws.